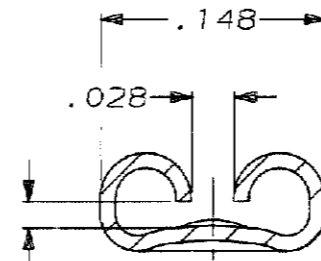
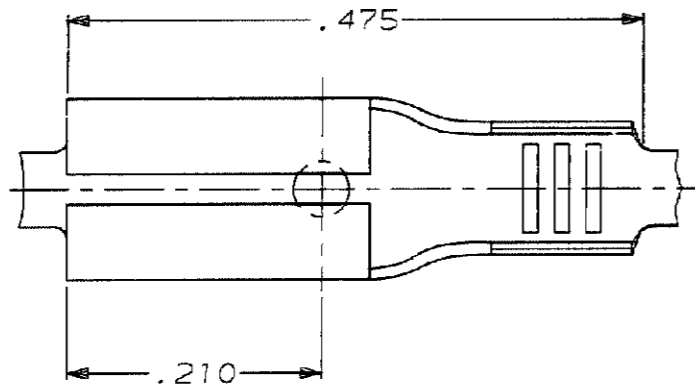


DRAWING MADE IN THIRD ANGLE PROJECTION

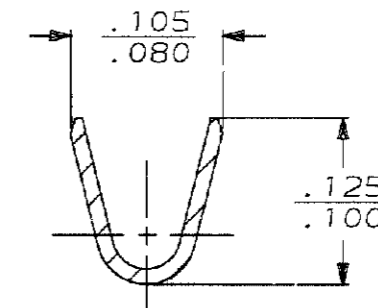
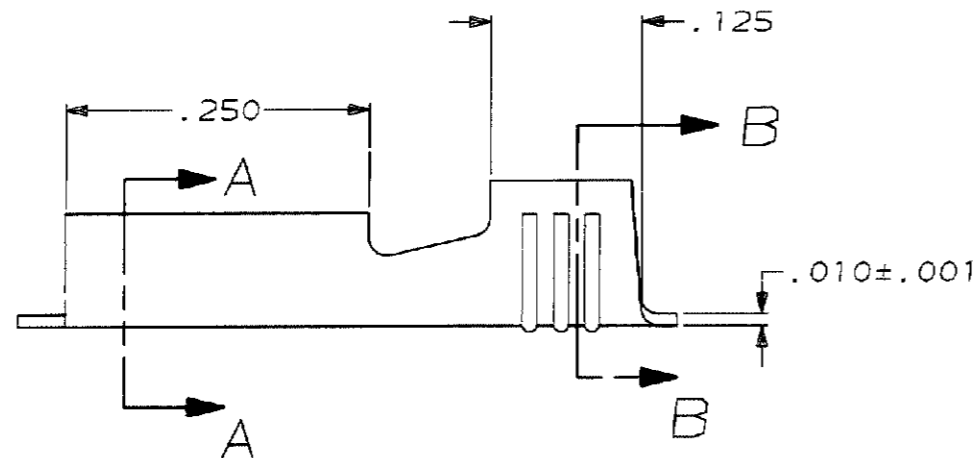
THIS DRAWING IS UNPUBLISHED. RELEASED FOR PUBLICATION ,19 .
 © COPYRIGHT 19 BY AMP INCORPORATED. ALL INTERNATIONAL RIGHTS RESERVED.

LOC	DIST	P	F	ZONE	LTR	DESCRIPTION	DATE	APPD
AF	50				T	REDRAWN AF-7357	4/1/91	JR

- 1 CONTINUOUS STRIP ON REELS
- 2 FEED TO BE .535±.005.



FITS .110 SERIES FASTON TABS
 SECTION A-A
 SCALE 10:1



SECTION B-B
 SCALE 10:1

20-18 or (2) #20's		.016	42398-1
WIRE SIZE		MATING TAB THK ±.001	PART NO
DO NOT SCALE PRINT. UNLESS SPECIFIED DIMENSIONS ARE IN INCHES TOLERANCES ON: 2 PLC DEC * - 3 PLC DEC * .015 ANGLES ± -	DR 4/1/91 JR RUTH	AMP AMP Incorporated Harrisburg, PA 17105-3608 NAME RECEPTACLE, FASTON, .110 SERIES	
	CHK 4/1/91 MS FEHER		
	APPD 4/1/91 C MEYERS		
	APPD 4/1/91 D REJNER		
MATERIAL #4H BRASS	PRODUCT SPEC -	SIZE B	CASE CODE 00779
FINISH PRE-TIN	APPLICATION SPEC -	DRAWING NO 42398	SCALE 8:1
WEIGHT -		SHEET 1 OF 1	

CUSTOMER DRAWING